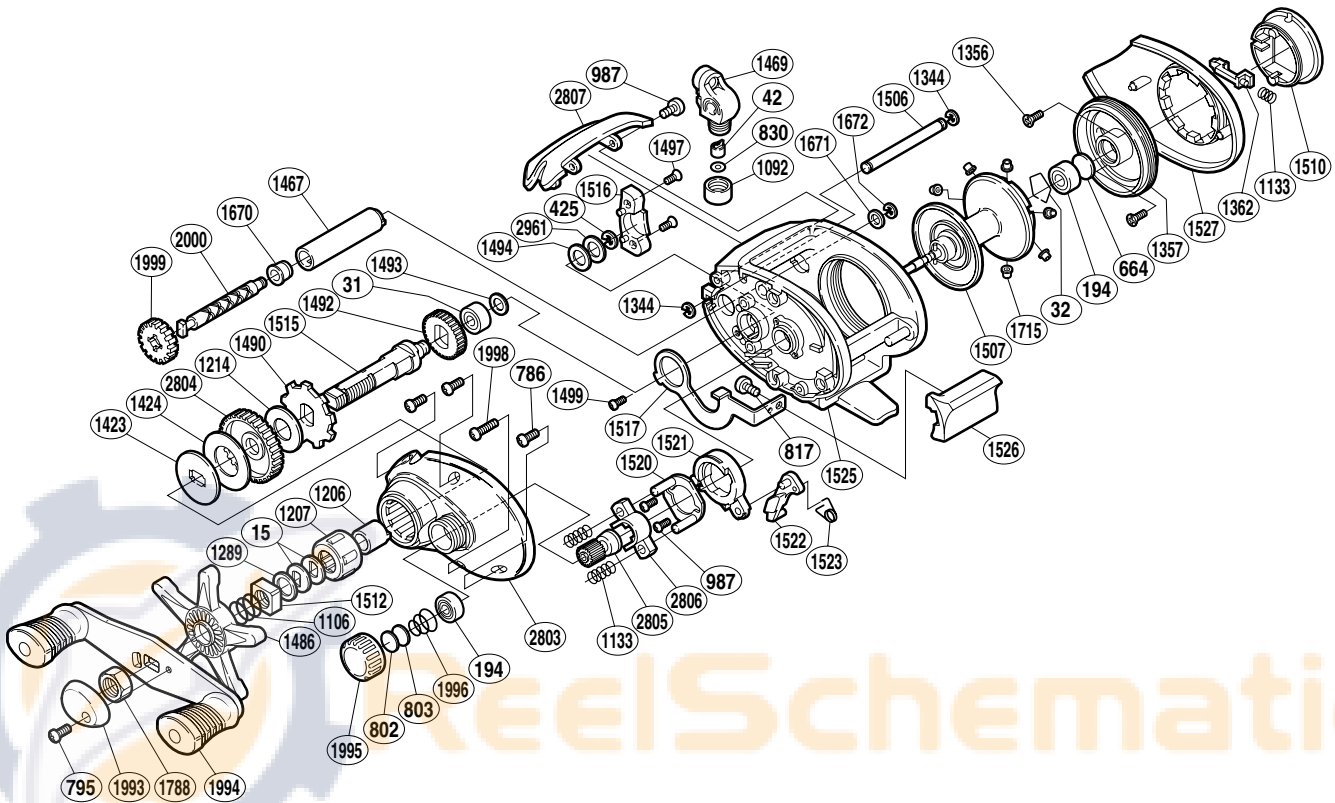


# SHIMANO®

## Bantam CURADO

CU-201B38



Part No.	Description	Part No.	Description	Part No.	Description
BNT0015	Drag Spring Washer	BNT1357	Brake Case	BNT1523	Clutch Pawl Spring
BNT0031	Ball Bearing	BNT1362	Turnkey Pawl	BNT1525	One-Piece Frame
BNT0032	Bearing Retainer	BNT1423	Key Washer	BNT1526	Quick-Fire II Clutch Bar
BNT0042	Line Guide Pawl	BNT1424	Drag Washer (C)	BNT1527	Right Side Plate
BNT0194	Ball Bearing	BNT1467	Level Wind Guard	BNT1670	Worm Bushing
BNT0425	"E" Lock	BNT1469	Line Guide	BNT1671	Worm Shaft Washer (B)
BNT0664	Spacer (B)	BNT1486	Star Drag	BNT1672	"E" Lock
BNT0786	Side Plate Screw (short)	BNT1490	Anti-Reverse Ratchet	BNT1715	Brake Collar (red)
BNT0795	Handle Nut Plate Screw	BNT1492	Idle Gear (A)	BNT1788	Handle Nut
BNT0802	Spool Tension Spacer (B)	BNT1493	Drive Gear Washer	BNT1993	Handle Nut Plate Assembly
BNT0803	Spool Tension Spacer (A)	BNT1494	Drive Shaft Washer (B)	BNT1994	Handle Assembly
BNT0817	Clutch Bar Screw	BNT1497	Drive Shaft Cover Screw	BNT1995	Cast Control Cap
BNT0830	Spacer (optional)	BNT1499	Clutch Plate Screw	BNT1996	Spool Tension Spring
BNT0987	Multi-Purpose Screw	BNT1506	Line Guard	BNT1998	Side Plate Screw (long)
BNT1092	Pawl Cap	BNT1507	Spool Assembly	BNT1999	Idle Gear (C)
BNT1106	Star Drag Spring	BNT1510	Turnkey Dial	BNT2000	Worm Shaft
BNT1133	Yoke / Turnkey Pawl Spring	BNT1512	Star Drag Nut	BNT2803	Left Side Plate
BNT1206	Roller Clutch Inner Tube	BNT1515	Drive Shaft	BNT2804	Drive Gear
BNT1207	Roller Clutch Bearing	BNT1516	Drive Shaft Cover	BNT2805	Pinion Gear (A)
BNT1214	Drag Washer (A)	BNT1517	Clutch Plate	BNT2806	Yoke
BNT1289	Star Drag Spacer	BNT1520	Clutch Cam Retainer	BNT2807	Thumb Rest
BNT1344	"C" Lock	BNT1521	Clutch Cam	BNT2961	Drive Shaft Washer
BNT1356	Brake Case Retainer Screw	BNT1522	Clutch Pawl		